



SOUNDWELL®

http://soundwell-cn.com

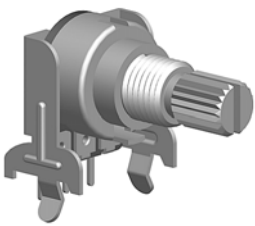
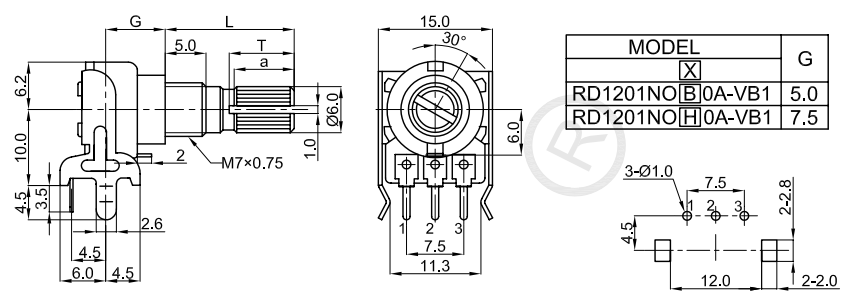
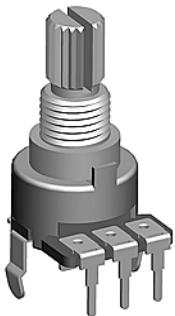
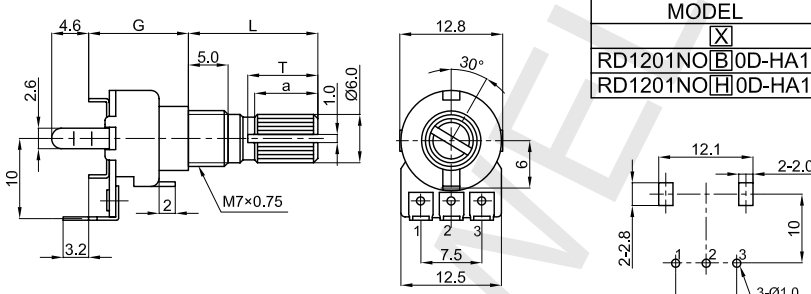
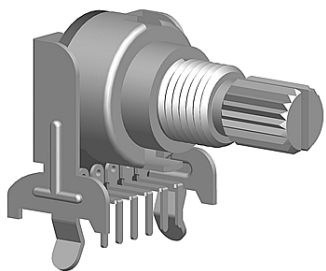
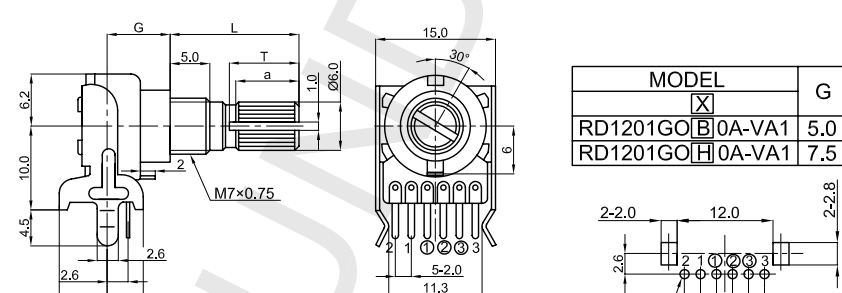
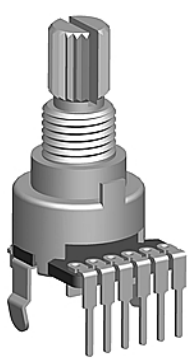
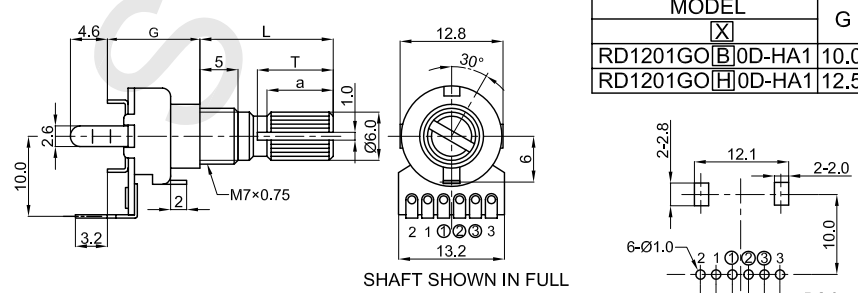
# RD12 Series POTENTIOMETER



企业微信，扫码有惊喜



升威官网，发现更多产品

MODEL 品名	DIMENSIONS 尺寸	UNIT:mm									
RD1201NO[X]0A-VB1	  <table border="1" data-bbox="1117 448 1388 560"> <thead> <tr> <th colspan="2">MODEL</th> <th>G</th> </tr> </thead> <tbody> <tr> <td>RD1201NO[B]0A-VB1</td> <td>[X]</td> <td>5.0</td> </tr> <tr> <td>RD1201NO[H]0A-VB1</td> <td>[X]</td> <td>7.5</td> </tr> </tbody> </table> <p>SHAFT SHOWN IN FULL C.C.W. POSITION</p> <p>P.C.B.MOUNTING HOLES DETAIL</p>	MODEL		G	RD1201NO[B]0A-VB1	[X]	5.0	RD1201NO[H]0A-VB1	[X]	7.5	
MODEL		G									
RD1201NO[B]0A-VB1	[X]	5.0									
RD1201NO[H]0A-VB1	[X]	7.5									
RD1201NO[X]0D-HA1	  <table border="1" data-bbox="1117 806 1404 918"> <thead> <tr> <th colspan="2">MODEL</th> <th>G</th> </tr> </thead> <tbody> <tr> <td>RD1201NO[B]0D-HA1</td> <td>[X]</td> <td>10.0</td> </tr> <tr> <td>RD1201NO[H]0D-HA1</td> <td>[X]</td> <td>12.5</td> </tr> </tbody> </table> <p>SHAFT SHOWN IN FULL C.C.W. POSITION</p> <p>P.C.B.MOUNTING HOLES DETAIL</p>	MODEL		G	RD1201NO[B]0D-HA1	[X]	10.0	RD1201NO[H]0D-HA1	[X]	12.5	
MODEL		G									
RD1201NO[B]0D-HA1	[X]	10.0									
RD1201NO[H]0D-HA1	[X]	12.5									
RD1201GO[X]0A-VA1	  <table border="1" data-bbox="1117 1276 1404 1388"> <thead> <tr> <th colspan="2">MODEL</th> <th>G</th> </tr> </thead> <tbody> <tr> <td>RD1201GO[B]0A-VA1</td> <td>[X]</td> <td>5.0</td> </tr> <tr> <td>RD1201GO[H]0A-VA1</td> <td>[X]</td> <td>7.5</td> </tr> </tbody> </table> <p>SHAFT SHOWN IN FULL C.C.W. POSITION</p> <p>P.C.B.MOUNTING HOLES DETAIL</p>	MODEL		G	RD1201GO[B]0A-VA1	[X]	5.0	RD1201GO[H]0A-VA1	[X]	7.5	
MODEL		G									
RD1201GO[B]0A-VA1	[X]	5.0									
RD1201GO[H]0A-VA1	[X]	7.5									
RD1201GO[X]0D-HA1	  <table border="1" data-bbox="1117 1680 1404 1792"> <thead> <tr> <th colspan="2">MODEL</th> <th>G</th> </tr> </thead> <tbody> <tr> <td>RD1201GO[B]0D-HA1</td> <td>[X]</td> <td>10.0</td> </tr> <tr> <td>RD1201GO[H]0D-HA1</td> <td>[X]</td> <td>12.5</td> </tr> </tbody> </table> <p>SHAFT SHOWN IN FULL C.C.W. POSITION</p> <p>P.C.B.MOUNTING HOLES DETAIL</p>	MODEL		G	RD1201GO[B]0D-HA1	[X]	10.0	RD1201GO[H]0D-HA1	[X]	12.5	
MODEL		G									
RD1201GO[B]0D-HA1	[X]	10.0									
RD1201GO[H]0D-HA1	[X]	12.5									